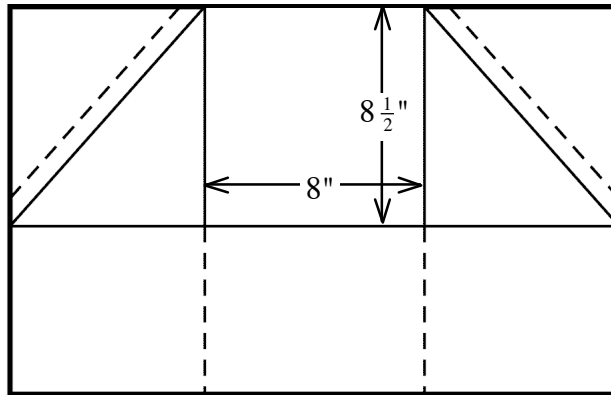


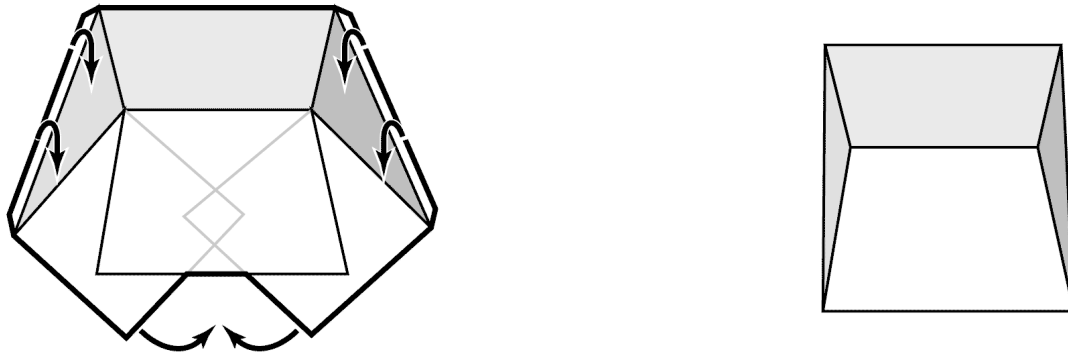
Constellation Model Frame

Begin with a half-sheet of poster board. When I tried this my piece measured $14 \frac{1}{8}'' \times 22 \frac{3}{16}''$.

The heart of the frame is the $8'' \times 8 \frac{1}{2}''$ screen for mounting the star map. Mark an $8''$ wide $\times 8 \frac{1}{2}''$ high rectangle at the center of the long edge of your poster board. On my board, the sides of the screen were each $7 \frac{1}{8}''$ from each short side. Extend the edge lines for your screen to the limits of the poster board as shown.



Cut the poster board along the dotted lines. Fold inward along the solid lines, sliding the two side tabs under the platform in front of the screen. Glue the tabs in place with PVA or hot glue.



Glue a $1'' \times 8''$ piece of foam core to the top of the screen. Mark the center line of the glued platform and run a narrow bead of hot glue along it. Immediately place the wooden strut with the screw eye up and out glue. Press the strut in place. The frame is complete!

